

## G/R/F Series Glass Tube Flowmeter

### ■ Summary

G/R/F10, 20, 30 glass tube flowmeter has three types of connection, they are threaded type (G10, 20, 30 types), hose type (R10, 20, 30 types), flange type (F10, 20, 30 types). It's divided into conventional type (Measuring general noncorrosive fluid) and corrosion resistant type (Measuring corrosive fluid). The meter is featured with compactness, light structure, nice figure, convenient maintenance, safe and reliability, easy installation. The flange of F10, 20, 30 types can rotate to be aligned with the pipe holes on site.

G/R/F10, 20, 30 glass tube flowmeter can substitute the glass tube flowmeter installed on the complete production lines imported, are widely used in chemical industry, light industry, pharmacy, food industry, papermaking, environment protection, measuring, testing and scientific research institutes etc. to measure the flow rate of single phase non pulse fluid (liquid or gas).



Fig.2



Fig.3

**■ Outline and Connection Size**

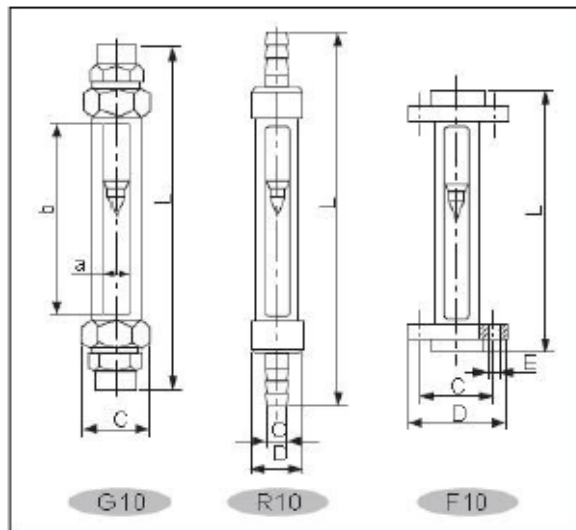


Fig.4

Table 1											
Unit:mm											
DN(mm)	a×b	G10			R10			F10			
		L	C	Screw	L	C	D	L	C	D	E
DN15	26×230	408	52	G1/2"	400	Φ17	Φ43	310	Φ65	Φ95	4-Φ14
				G3/8"							
				NPT1/2							
DN25	32×230	414	75	G1"	450	Φ27	Φ60	310	Φ85	Φ115	4-Φ14
				G3/4"							
				NPT1							
DN40	40×230	424	92	G1 1/2"	450	Φ44	Φ78	310	Φ110	Φ145	4-Φ18
				NPT1 1/2							
DN50	50×230	426	116	G2"	450	Φ54	Φ98	310	Φ125	Φ160	4-Φ18
				NPT2							

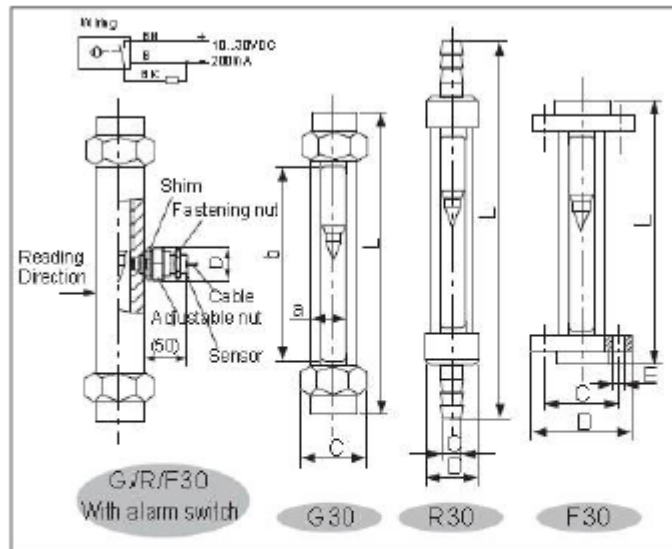


Fig.3

DN(mm)	a×b	Unit:mm									
		G30			R30			F30			
		L	C	Screw	L	C	D	L	C	D	E
DN15	28×230	375	52	G1/2"	400	Φ17	Φ43	310	Φ65	Φ95	4-Φ14
				G3/8"							
				NPT1/2							
DN25	32×230	375	75	G1"	450	Φ27	Φ60	310	Φ85	Φ115	4-Φ14
				G3/4"							
				NPT1							
DN40	45×230	375	92	G1 1/2"	450	Φ44	Φ78	310	Φ110	Φ145	4-Φ18
				NPT1 1/2							
DN50	55×230	375	116	G2"	450	Φ54	Φ98	310	Φ125	Φ160	4-Φ18
				NPT2							

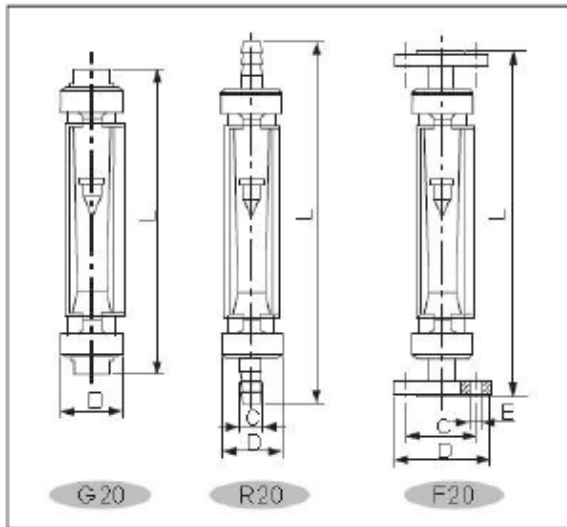


Fig.2

		Table 2						Unit:mm			
DN(mm)	G20			R20			F20				
	L	D	Screw	L	C	D	L	C	D	E	
DN15	375	Φ58	G1/2"	400	Φ17	Φ58	425	Φ65	Φ95	4-Φ14	
			G3/8"								
			NPT1/2								
DN25	375	Φ74	G1"	450	Φ27	Φ74	425	Φ85	Φ115	4-Φ14	
			G3/4"								
			NPT1								
DN40	375	Φ92	G1 1/2"	450	Φ44	Φ92	425	Φ110	Φ145	4-Φ18	
			NPT1 1/2								
DN50	375	Φ112	G2"	450	Φ54	Φ112	425	Φ125	Φ160	4-Φ18	
			NPT2								

**Material of Process Fluid Touching Parts**

Material Parts	Model	G10-0	G10-0F	R10-0	R10-0F	F10-0	F10-0F
		G20-0	G20-0F	R20-0	R20-0F		F20-0F
			G30-0F		R30-0F		F30-0F
Float	304SS						
Upper & Lower stop	Nylon	Fluoroplastics	Nylon	Fluoroplastics	Nylon	Fluoroplastics	
Seals	Nitrile rubber	Fluororubber	Nitrile rubber	Fluororubber	Nitrile rubber	Fluororubber	
Screw connection	Carbon steel(Zinc plating)	304SS	-		-		
Connection	Aluminium(G20)	304SS	-		-		
Hose connection	-		Al	304SS	-		
Flange connection	-		-		Al	304SS	

**Notes:** Other materials are customized.

### Model and Technical Parameter

DN (mm)	Normal type	Anti-corrosion type	Flow range		Pressure loss(Pa)	Allowed measuring fluid condition		Accuracy degree
			Water (20°C)L/h	Air (20°C /101325Pa)m3 /h		Pressure (MPa)	Temp. (°C)	
15	G10/20/30-15 R10/20/30-15 F10/20/30-15	G10/20/30-15F R10/20/30-15F F10/20/30-15F	10~100	0.3~3 0.5~5 0.8~8	1000	≤1.0	-20~+120	2.5
			16~160		1100			
			25~250		1200			
			40~400		1700			
			63~630		2000			
	2500							
	3000							
25	G10/20/30-25 R10/20/30-25 F10/20/30-25	G10/20/30-25F R10/20/30-25F F10/20/30-25F	63~630	2~20 3~30	2800			
			100~1000		4000			
			160~1600		5000			
			250~2500		6000			
40	G10/20/30-40 R10/20/30-40 F10/20/30-40	G10/20/30-40F R10/20/30-40F F10/20/30-40F	160~1600	5~50 8~80	3400	≤0.9		
			250~2500		4000			
			400~4000		5000			
50	G10/20/30-50 R10/20/30-50 F10/20/30-50	G10/20/30-50F R10/20/30-50F F10/20/30-50F	400~4000	12~120 20~200	4800	≤0.7		
			630~6300		6500			
			1000~10000		8500			

#### Notes:

- 1.The pressure of the medium in the flowmeter, for the liquid shall be at least two times of the pressure loss;for the gas must be exceed 5 times of pressure loss.
- 2.Accuracy class 1.5 can be ordered in special.
- 3.The maximal flow of corrosion resistant PTFE floater is one class lower than the conventional type.
- 4.The model of anti-corrosion type lining PTFE only for F10 and F30 series,model show as:F10-QF0,F30-QF0.