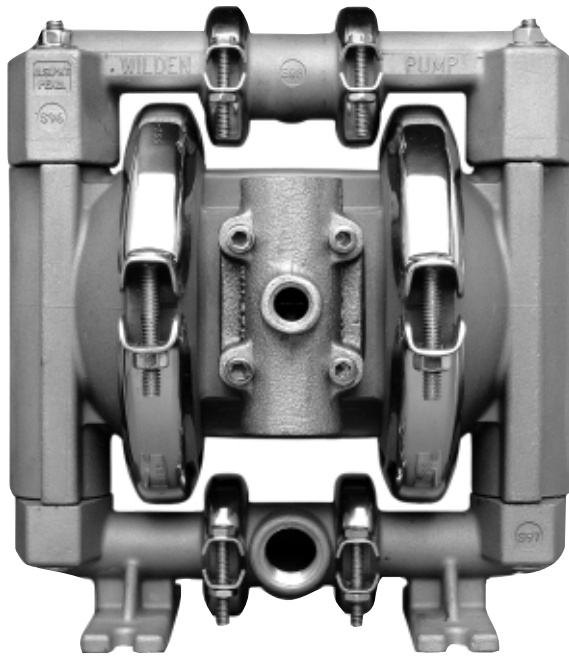




WILDEN®

AIR OPERATED DOUBLE DIAPHRAGM PUMPS

A **DOVER** RESOURCES COMPANY



TURBOFLO
PROGRESSIVE PUMP TECHNOLOGY

T1 Metal Pump

FLOW RATE TO 14.5 GPM (54.9 LPM)
MAXIMUM OPERATING PRESSURE = 125 PSI (8.6 BAR)

Specifications

WETTED HOUSINGS (Water Chambers and Manifolds)

MATERIAL	SHIP WT.
Aluminum	13 lbs. (6 kg.)
Hastelloy	22 lbs. (9.8 kg.)
316 S.S.	20 lbs. (9.2 kg.)

NON-WETTED HOUSINGS

DESCRIPTION	MATERIAL
Center Section	Nylon

Air Valve Brass, Teflon®-coated Brass, or Nickel-plated Brass

MAXIMUM SUCTION LIFT CAPABILITY

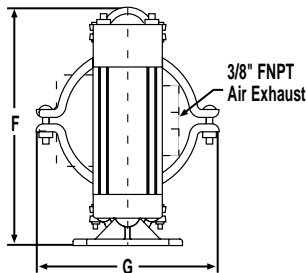
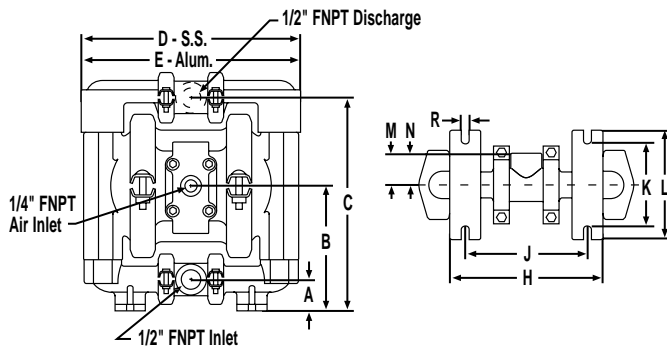
DRY LIFT
5' (1.5 m)
The above figure represents the TPE-fitted pump capability.

MAXIMUM DIAMETER SOLIDS

1/16" (1.6 mm) Diameter

ELASTOMER OPTIONS

MATERIAL	TEMPERATURE LIMITS
Polyurethane	+10 (-12.2) to +150 (65.6) F° (C°)
Buna-N®	+10 (-12.2) to +180 (82.2) F° (C°)
Viton®	-40 (-40.0) to +350 (176.7) F° (C°)
Saniflex™	-20 (-28.9) to +220 (104.4) F° (C°)
Teflon® PTFE	+40 (4.4) to +300 (148.9) F° (C°)
Wil-Flex™	-40 (-40.0) to +225 (107.2) F° (C°)

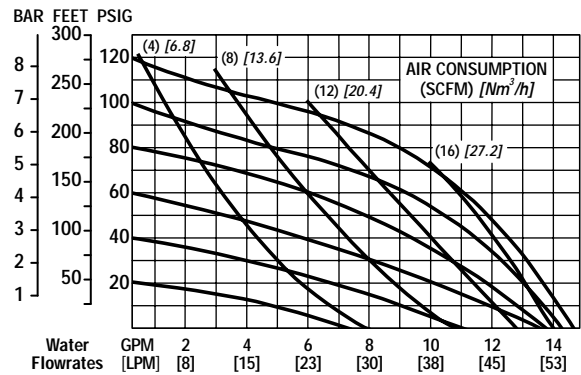


DIMENSIONS - T1 METAL

ITEM	STANDARD (inch)	METRIC (mm)
A	1 1/8	28.6
B	4 9/16	115.9
C	7 13/16	198.5
D	8	203.2
E	8 5/32	207.2
F	8 3/4	222.3
G	6 7/8	174.6
H	5 1/2	139.7
J	4 13/32	111.9
K	3 1/4	82.6
L	4	101.6
M	1 3/16	30.2
N	1 3/16	30.2
P	9/32	7.1

BSP threads available for liquid inlet and discharge.
Refer to the EOM manual for TPE performance curve.

RUBBER-FITTED T1 METAL PUMP



TEFLON®-FITTED T1 METAL PUMP

