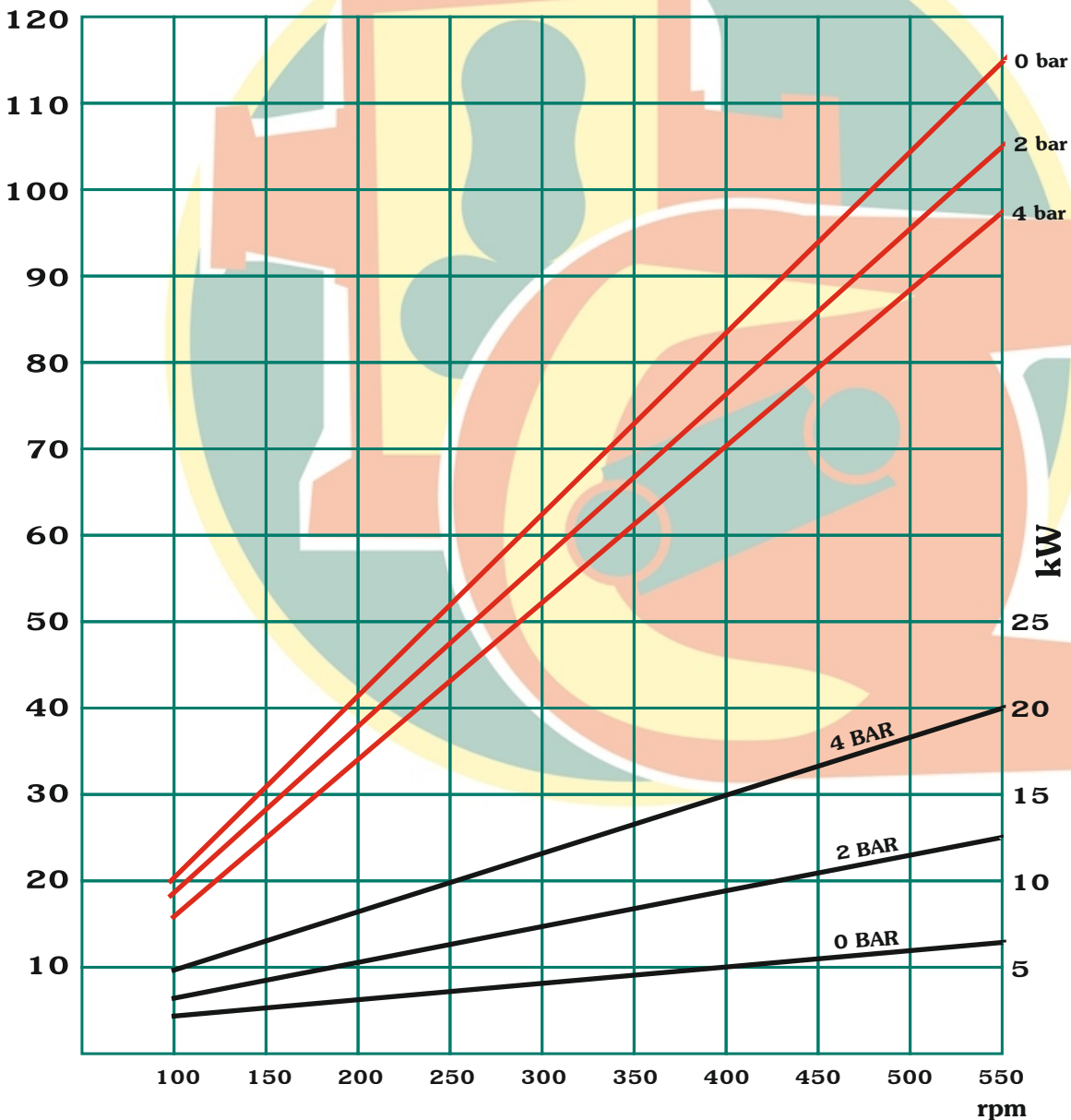


LB-M/125 Data sheet

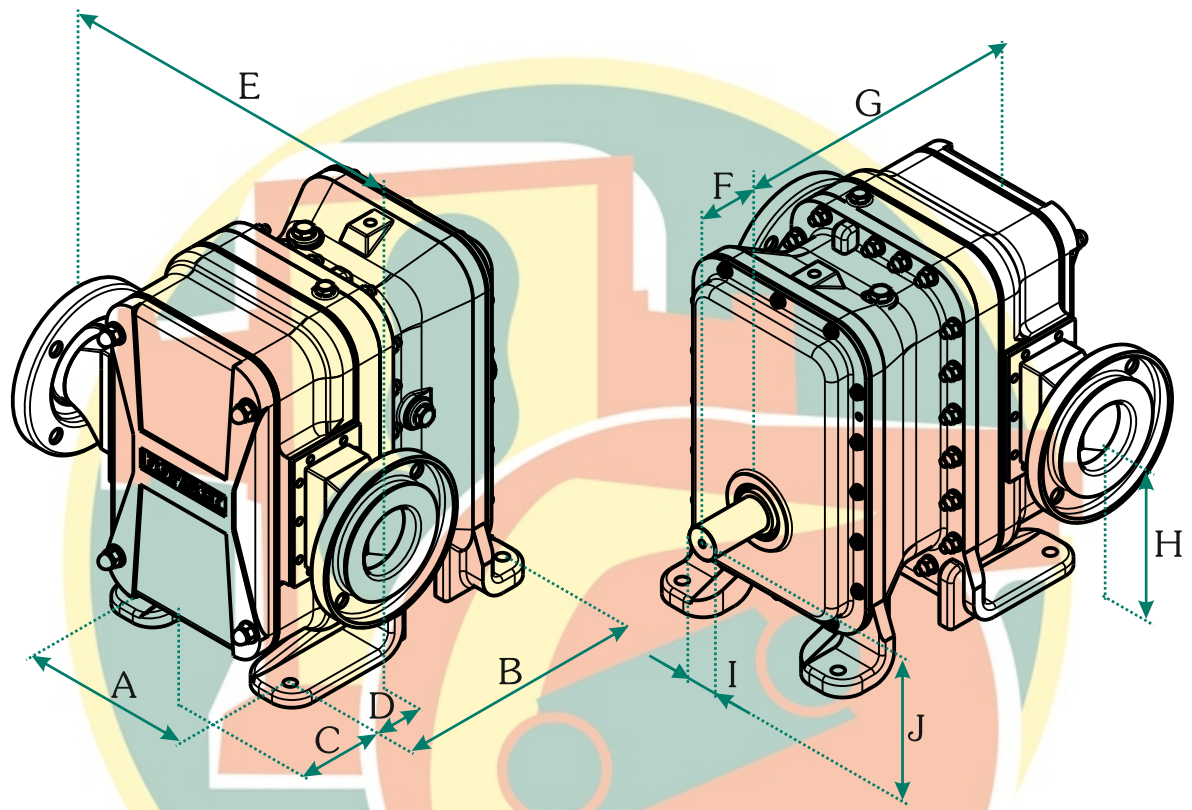


Capacity:	3,49 l/rev.
Std. Connections:	DN-100 / DN-125
Max. Pressure:	4 bar
Lobe type:	High performance Bi-lobe
Available lobes:	NBR Food EPDM VITON
Max. solid size:	50mm.

m³/h



Description	Material	Surface treatment
Pump housing	Stainless Steel AISI-410 or AISI-316	Polyester painted
Mechanical seals	Sil. Carbide / Tungs. Carbide Graphite / Tungs. Carbide (Optional)	--
Wear plates	Stainless Steel AISI-410 or AISI-316	Hardened (Optional)
Gaskets	NBR, EPDM or Viton	--
Base plate	Steel Stainless Steel AISI-304 (Optional)	Polyester powder coated --
Connections	Stainless Steel AISI-316	--



Dimensions										
A	B	C	D	E	F	G	H	I	J	Connections
235	320	67	21	524	80	397	240	40	170	DN-100 or DN-125



Bombas Boyser, S.L. C/. Narcís Monturiol, 24 · Pol. Ind. Can Magre
Telf.: 93 844 77 78 · 08187 Sta. Eulàlia de Ronçana (BARCELONA)
info@boyser.com · www.boyser.com

