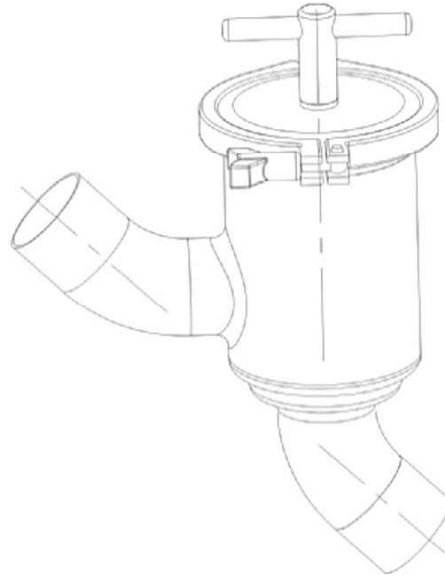
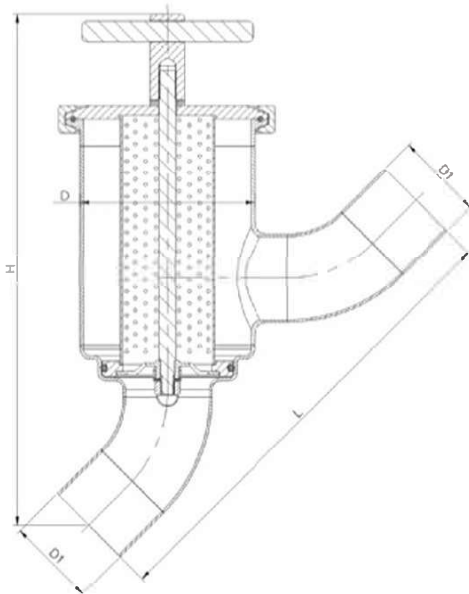


Filter(straight, angle, Y type)



Dimension of Y type Fliter



DIN Y Type Fliter

SIZE	H	L	D1		D	I
			1	2		
DN25	282	204	28	29	102	1.5
DN32	292	226	34	35	102	1.5
DN40	293	242	40	41	102	1.5
DN50	313	280	52	53	102	1.5
DN65	384	382	70	-	114	2.0
DN80	401	406	85	-	114	2.0
DN100	544	460	104	-	154	2.0

INCH Y Type Fliter

SIZE	H	L	D1	D
1"	280	204	25.4	102
1 1/8"	290	226	31.8	102
1 1/2"	298	242	38	102
2"	315	280	50.8	102
2 1/2"	387	362	63.5	114
3"	407	408	76.2	114
3 1/2"	410	408	89	114
4"	554	460	101.6	154