

**SINCE 1922,
PRECISION MADE GREAT**

TASSALINI 

DATA SHEET

VACUUM PRESSURE VALVES



SINCE 1922,
PRECISION MADE GREAT

TASSALINI



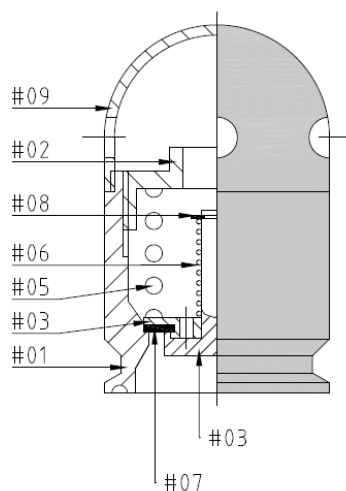
DATA SHEET

Application Vacuum pressure valves are designed to relieve excess pressure and excess vacuum in tanks.

As soon as the pressure in the tank exceeds the pre-set maximum pressure the valve opens and relieves the excess pressure. Once the pressure returns within the pre-set range the valve closes again. Furthermore, as soon as the vacuum in the tank exceeds the pre-set maximum vacuum the valve opens. Again, once the vacuum returns within the pre-set range the valve closes again.

Features The valve opening pressure is adjustable, the vacuum pressure is set.

Components



PARTS LIST		
#01	Valve casing	Aisi 304L
#02	Adjusting cap	Aisi 304L
#03	Head seal	Aisi 304L
#04	Diaphragm	Aisi 304L
#05	Pressure spring	Aisi 304L
#06	Vacuum spring	Aisi 304L
#07	Seal	Silicone VMQ
#08	Snap ring	Aisi 304L
#09	Cap	Aisi 304L

SINCE 1922,
PRECISION MADE GREAT

TASSALINI



DATA SHEET

Technical Data

Adjustable opening pressure:

- valve size 1 1/2" 0.5-2.0 bar 8-30 psi
- valve size 2" 0.5-2.5 bar 8-36 psi
- valve size 2 1/2" 0.5-2.1 bar 8-33 psi

Vacuum pressure: fixed at 0.01 bar.

Important Notice: The valves are not factory set to a value below the vessel max operating pressure, set point must be confirmed prior to use.

Capacity:

- valve size 1 1/2" 480 l/h
- valve size 2" 1200 l/h
- valve size 2 1/2" 3000 l/h

General temperature range: -10°C +95°C (+15°F +205°F).

Finish: 150 grit (max Ra 0.76-0.89 µm max µm, 30-35 µ").

Production range: 1 1/2", 2", 2 1/2".

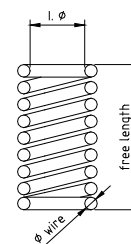
Connections: welding end, ferrule end.

Steel grades: Aisi 304L.

Springs

Pressure spring:

VALVE SIZE	SPRING CODE	I. Ø	Ø WIRE	FREE LENGTH	NO. COILS
1 1/2"	K64VP38.05	23 mm	3 mm	34 mm	5 1/2
2"	K64VP51.05	34 mm	4.5 mm	50 mm	5
2 1/2"	K64VP63.05	44 mm	5.5 mm	61 mm	5



Vacuum spring:

VALVE SIZE	SPRING CODE	I. Ø	Ø WIRE	FREE LENGTH	NO. COILS
1 1/2"	K64VP38.06	8 mm	0.55 mm	25 mm	13
"	K64VP51.06	10 mm	0.6 mm	40 mm	8 1/2
2 1/2"	K64VP63.06	12 mm	0.7 mm	47 mm	8

For further technical information, section and dimensional drawings and range of models available please refer to our series of product brochures, technical catalogues and valve manuals.

SINCE 1922,
PRECISION MADE GREAT

TASSALINI 

DATA SHEET

Optional compression spacer

To adjust opening pressure:

- valve size 1 1/2" 1.5-2.7 bar 22-40 psi
- valve size 2" 1.5-3.2 bar 22-48 psi
- valve size 2 1/2" 1.5-2.7 bar 22-40 psi

