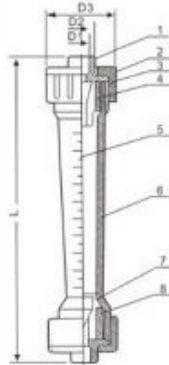


## RMS-Durable Plastic Tube Type Flowmeter

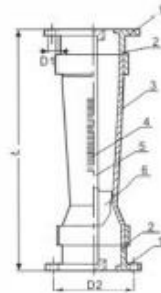
### RMS-Plastic flowmeter

Construction of RMS-15-RMS-65

- 1, Joint pipe
- 2, Screw cap
- 3, O-ring
- 4, Upper Stop Plate
- 5, Scale
- 6, Taper tube
- 7, Float
- 8, Bottom stop Plate



- 1, Flange
- 2, O-ring
- 3, Taper tube
- 4, Scale
- 5, Guide rod
- 6, Float



Construction of RMS-100-RMS-150



### Technical Parameters of RMS Series flow meter

Model	Diameter (DN)mm	Range		Accuracy	Conditions		Size (mm)				Suit pipe Dg(mm)				
		Long tube type(L)	Short tube type(D)		Temperature°C	Pressure Mpa	Long tube type		Short tube type						
LRMS15	15	10-100/h 16-160/h 25-250/h 40-400/h 60-600/h	5-50/h	± 4%	0-60	≤ 0.6	L	D1	D2	D3	15 or 20				
			10-100/h				20	26	45						
			16-160/h				20	26	45						
			25-250/h				20	26	45						
			40-400/h				20	26	45						
RMS-20	20	100-1000/h	100-1000/h	± 4%	0-60	≤ 0.6	380	32	39	68	226	32	39	60	25 or 32
RMS-25	25	160-1600/h	160-1600/h				250-2500/h	250-2500/h							
RMS-32	32		0.4-4m³/h	± 4%	0-60	≤ 0.6					288	40	49.5	74	32 or 40
			0.6-6m³/h												
RMS-40	40	0.4-4m³/h	1-10m³/h	± 4%	0-60	≤ 0.6	430	63	73	98	341	63	73	98	50 or 65
RMS-50	50	0.6-6m³/h	1.6-16m³/h												
RMS-65	65		2.5-16m³/h	± 4%	0-60	≤ 0.6					430	75	88	122	65 or 75
			5-25m³/h												
LRMS65F	65		2.5-16m³/h	± 4%	0-60	≤ 0.6					525	18	145	100	
			5-25m³/h												
RMS-80F	80		2.5-16m³/h	± 4%	0-60	≤ 0.6					530	18	160	125	
			5-25m³/h												
RMS-100	100		14-90m³/h	± 4%	0-60	≤ 0.6					510	18	180	150	
			18-120m³/h												
RMS-125	125		14-90m³/h	± 4%	0-60	≤ 0.6					510	18	180	150	
			18-120m³/h												
RMS-150	150		14-90m³/h	± 4%	0-60	≤ 0.6					510	18	180	150	
			20-120m³/h												
			25-150m³/h												
			25-180m³/h												
			25-200m³/h												

#### RMS-plastic flowmeter Parts

material Taper tube:AS, Joint pipe(flange),  
Screw cap、Stop Plate、Float : ABS

#### Note

Long tube without guide rod, Short tube type with guide rod

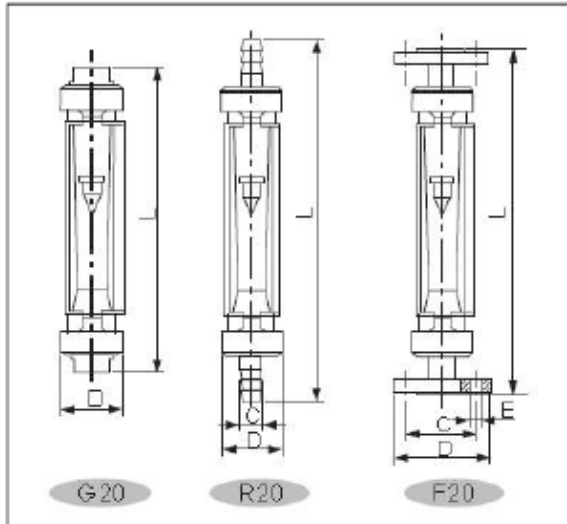


Fig.2

Table 2										
Unit:mm										
DN(mm)	G20			R20			F20			
	L	D	Screw	L	C	D	L	C	D	E
DN15	375	Φ58	G1/2"	400	Φ17	Φ58	425	Φ65	Φ95	4-Φ14
			G3/8"							
			NPT1/2							
DN25	375	Φ74	G1"	450	Φ27	Φ74	425	Φ85	Φ115	4-Φ14
			G3/4"							
			NPT1							
DN40	375	Φ92	G1 1/2"	450	Φ44	Φ92	425	Φ110	Φ145	4-Φ18
			NPT1 1/2							
DN50	375	Φ112	G2"	450	Φ54	Φ112	425	Φ125	Φ160	4-Φ18
			NPT2							



**Material of Process Fluid Touching Parts**

Material Parts	Model	G10-0	G10-0F	R10-0	R10-0F	F10-0	F10-0F
		G20-0	G20-0F	R20-0	R20-0F		F20-0F
			G30-0F		R30-0F		F30-0F
Float	304SS						
Upper & Lower stop	Nylon	Fluoroplastics	Nylon	Fluoroplastics	Nylon	Fluoroplastics	
Seals	Nitrile rubber	Fluororubber	Nitrile rubber	Fluororubber	Nitrile rubber	Fluororubber	
Screw connection	Carbon steel(Zinc plating)	304SS	-		-		
Connection	Aluminium(G20)	304SS	-		-		
Hose connection	-		Al	304SS	-		
Flange connection	-		-		Al	304SS	

**Notes:** Other materials are customized.

### Model and Technical Parameter

DN (mm)	Normal type	Anti-corrosion type	Flow range		Pressure loss(Pa)	Allowed measuring fluid condition		Accuracy degree
			Water (20°C)L/h	Air (20°C /101325Pa)m3 /h		Pressure (MPa)	Temp. (°C)	
15	G10/20/30-15 R10/20/30-15 F10/20/30-15	G10/20/30-15F R10/20/30-15F F10/20/30-15F	10~100	0.3~3 0.5~5 0.8~8	1000	≤1.0	-20~+120	2.5
			16~160		1100			
			25~250		1200			
			40~400		1700			
			63~630		2000			
	2500							
	3000							
25	G10/20/30-25 R10/20/30-25 F10/20/30-25	G10/20/30-25F R10/20/30-25F F10/20/30-25F	63~630	2~20 3~30	2800			
			100~1000		4000			
			160~1600		5000			
			250~2500		6000			
40	G10/20/30-40 R10/20/30-40 F10/20/30-40	G10/20/30-40F R10/20/30-40F F10/20/30-40F	160~1600	5~50 8~80	3400	≤0.9		
			250~2500		4000			
			400~4000		5000			
50	G10/20/30-50 R10/20/30-50 F10/20/30-50	G10/20/30-50F R10/20/30-50F F10/20/30-50F	400~4000	12~120 20~200	4800	≤0.7		
			630~6300		6500			
			1000~10000		8500			

#### Notes:

- 1.The pressure of the medium in the flowmeter, for the liquid shall be at least two times of the pressure loss;for the gas must be exceed 5 times of pressure loss.
- 2.Accuracy class 1.5 can be ordered in special.
- 3.The maximal flow of corrosion resistant PTFE floater is one class lower than the conventional type.
- 4.The model of anti-corrosion type lining PTFE only for F10 and F30 series,model show as:F10-QF0,F30-QF0.