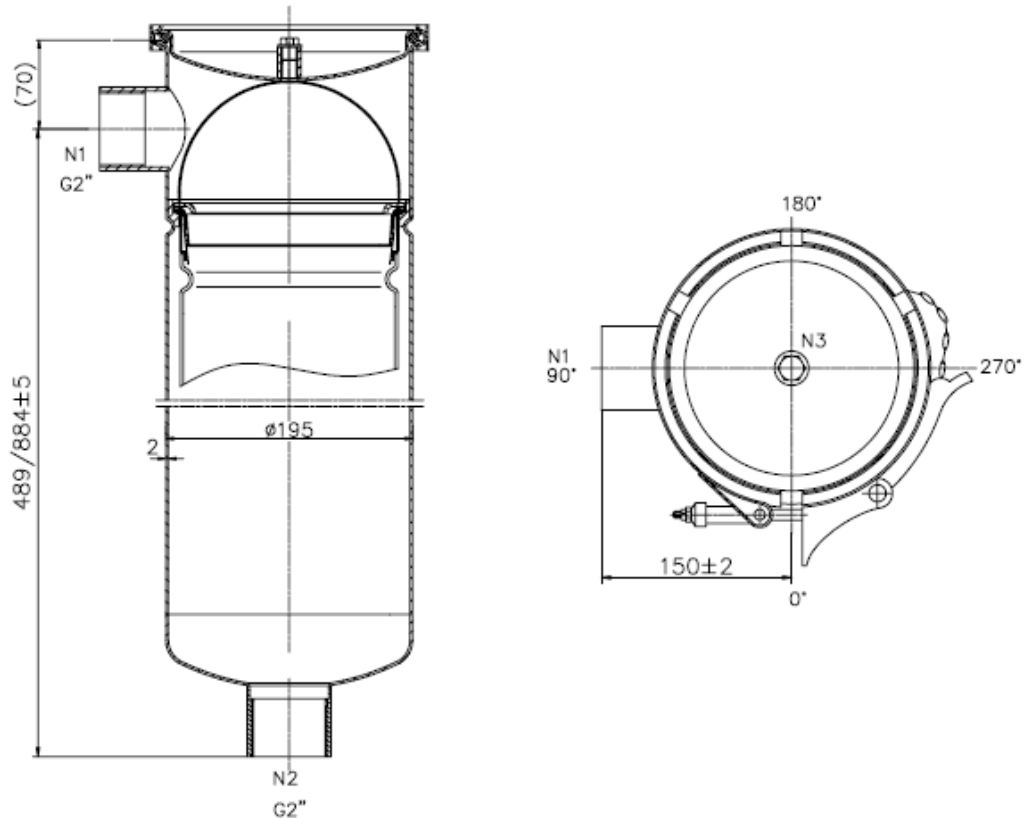


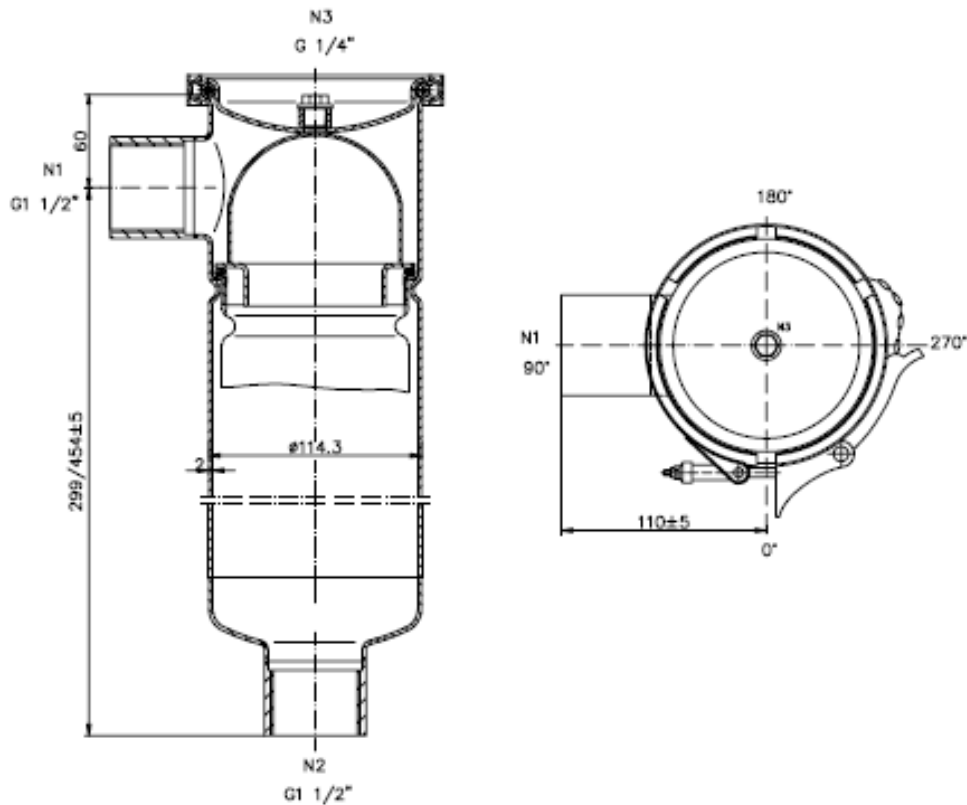
## HD Process Econoline range of bag filters - DRAWINGS (# 1, 2, 3, 4)

### Bag filter



Specification <small>(Changes possible w/o notice)</small>	Size 01	Size 02
Max. flow rate (m <sup>3</sup> /h)	20	40
Filter area (m <sup>2</sup> )	0.25	0.5
Filter housing volume (litre)	15.5	27.0
Filter housing weight (kg)	approx. 11	approx. 16
Installation height (cm)	approx. 98	approx. 181
Installation space (cm)	approx. 50 x 50	
Mode of installation	self-supporting	
Material of construction	SS 316 / SS304 (wetted housing parts)	
Restrainer basket	SS 316 / SS304	
Closure	SS 304 V-clamp	
Operating data	max. 6 bar / 120 °C respectively 10bra / 30 °C	
Housing connections	2" BSP female	
N3 (lid hole)	1/4" BSP female w/o plug	
Packing: corrugated box (cm)		

## Bag filter



Specification	Size 03	Size 04
(Changes possible w/o notice)		
Type code	SLF-C103-040B	SLF-C104-040B
Max. flow rate (m <sup>3</sup> /h)	6	12
Filter area (m <sup>2</sup> )	0.09	0.16
Filter housing volume (litre)	3.0	4.5
Filter housing weight (kg)	approx. 4	approx. 5
Installation height (cm)	approx. 59	approx. 90
Installation space (cm)	approx. 25 x 25	
Mode of installation	self-supporting	
Material of construction	SS 316 / SS304 (wetted housing parts)	
Housing	SS 316 / SS304	
Restrainer basket	SS 316 / SS304	
Closure	SS 304 V-clamp	
Operating data	max. 9 bar / 120 °C respectively 10 bar / 30 °C	
Housing connections	1 1/2" BSP female	
N1/N2 (inlet / outlet)	1/4" BSP female w/o plug	
N3 (lid hole)		
Packing: corrugated box (cm)	L = 36 x W = 20 x H = 20	L = 51 x W = 20 x H = 20