

# ACCUClean – The most efficient way to clean your tank

**NEW!** Improved design for even better cleaning results.

## Series 515/519

The consequent redesign of the successful ACCUClean concept combines now even more efficient cleaning technology in an economical package:

- Controlled rotation for maximum spray impact
- Optimized drive mechanism
- Special nozzle geometry for sharp sprays
- Excellent vertical coverage
- Smooth, self-draining and self-flushing design
- Long-life bearing
- Wide flow and pressure range

### Applications

- For use in all applications, where a high cleaning performance is required

### Max. tank diameter:

Rinsing: 6 – 9 m  
Cleaning: 4 – 6 m  
depends on nozzle size

### Operating pressure:

2 – 5 bar

### Temperature range [°C]:

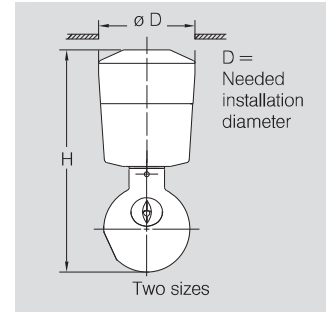
5 – 140 °C

### Materials:

- Body: Stainless steel 316L
- Gear parts: PEEK

### Bearing:

Ball bearing made of stainless steel AISI 316L



Spray angle	Ordering number	E ø [mm]	Con- nection BSPP*	Flow rate [l/min]					40 psi [US gal./ min]	Length H [mm]	D [mm]
				Δ p [bar] (Δ p <sub>max</sub> = 10 bar)							
				1	2	3	5	7			
180°	<b>515.213.7T.AL</b>	1,0	3/4"	68	97	118	153	181	30	170	85
180°	<b>515.214.7T.AL</b>	1,0	3/4"	68	97	118	153	181	30	170	85
270°	<b>515.215.7T.AL</b>	1,0	3/4"	68	97	118	153	181	30	170	85
	<b>515.285.7T.AL</b>	1,0	3/4"	103	145	178	229	271	45	170	85
270°	<b>515.216.7T.AL</b>	1,0	3/4"	68	97	118	153	181	30	170	85
	<b>515.286.7T.AL</b>	1,0	3/4"	103	145	178	229	271	45	170	85
360°	<b>515.219.7T.AL</b>	1,0	3/4"	68	97	118	153	181	30	170	85
	<b>515.289.7T.AL</b>	1,0	3/4"	103	145	178	229	271	45	170	85
	<b>515.339.7T.AN</b>	1,0	1"	137	193	237	306	361	60	170	85
180°	<b>519.373.7T.AS</b>	1,5	1 1/2"	171	242	296	382	451	75	267	140
180°	<b>519.374.7T.AS</b>	1,5	1 1/2"	171	242	296	382	451	75	267	140
270°	<b>519.375.7T.AS</b>	1,5	1 1/2"	171	242	296	382	451	75	267	140
270°	<b>519.376.7T.AS</b>	1,5	1 1/2"	171	242	296	382	451	75	267	140
360°	<b>519.379.7T.AS</b>	1,5	1 1/2"	171	242	296	382	451	75	267	140
	<b>519.429.7T.AS</b>	1,5	1 1/2"	228	322	395	509	602	100	267	140
	<b>519.469.7T.AS</b>	1,5	1 1/2"	296	419	513	662	782	130	267	140

E = Narrowest free cross section · \* NPT on request.

**Please Note:** We do not recommend the operation with compressed air, Higher pressure generally means higher wear and smaller droplets. This might have adverse effects on the cleaning result. We recommend the use of a line strainer 0,3 mm/ 50 mesh. For further ordering data please turn to your Lechler contact person.