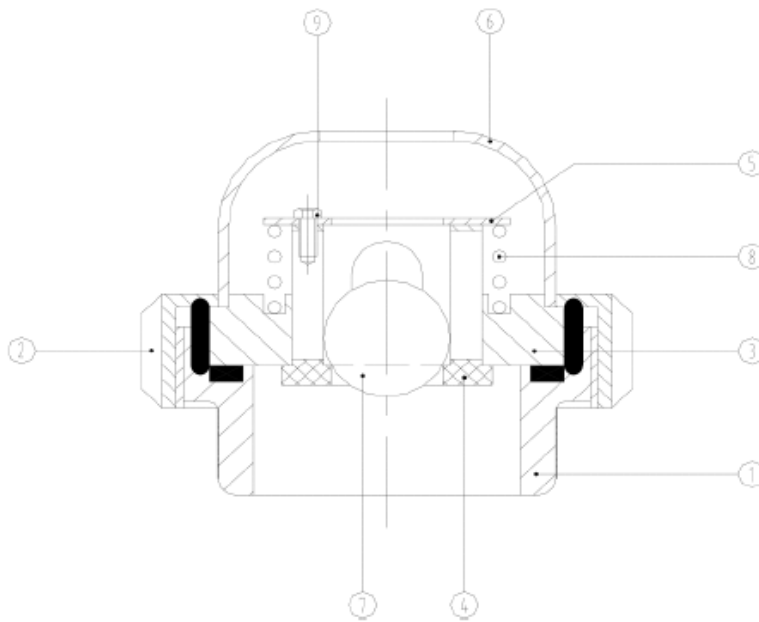


Vacuum pressure valve

CODE 645L



- 1. Male part
- 2. Nut
- 3. Taper blank
- 4. Locking device
- 5. Upper disc
- 6. Cap
- 7. Ball
- 8. Vacuum spring
- 9. Screw

Pos.	Qty	Description	Material
1	1	Male part	AISI 304L
2	1	Nut	AISI 304L
3	1	Taper blank	AISI 304L
4	1	Locking device	PTFE
5	1	Upper disc	AISI 304
6	1	Cap	AISI 304
7	1	Ball	AISI 304
8	1	Vacuum spring	AISI 304
9	2	Screw 3MAx8	AISI 304

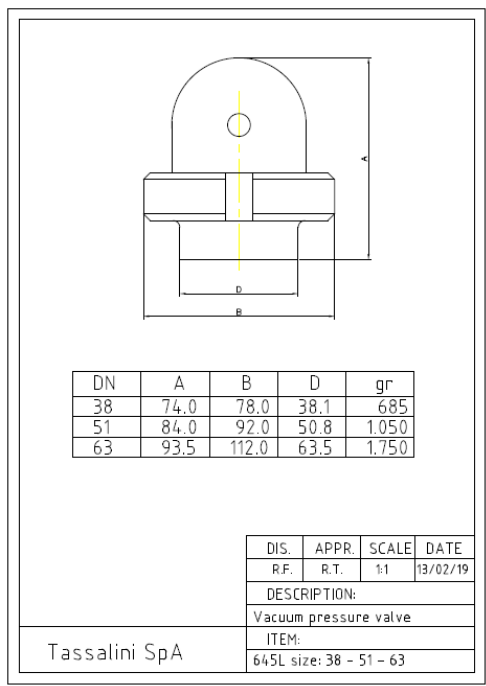
Technical data

Opening pressure fixed 0.02 bars
 Vacuum pressure fixed 0.01 bars

Capacity

Valve Size	Capacity
1.5"	480 l/m
2"	1200 l/m
2.5"	3000 l/m
3"	4400 l/m

Inch size of PRV	Cap ID (mm)	PTFE hole ID (mm)
1.5"	44	14
2"	56	22
2.5"	79	29
3"	101	41



SPARES – locking device, balls, springs and Oring sets

#645 38.T04	1.5" Locking Device 645 #4
#645 51/52.T04	2" Locking Device to suit 645L
#645 63/70.T04	2.5" PTFE Locking Device
#645 76.T04	3" PTFE Locking Device

#645 38.607	SS Ball for Press/Vacuum 645
#645 51/52.607	SS Ball for Press/Vacuum valve
#645 63/70.607	SS Ball to suit 645L63.4
#645 76.607	Spare Ball for 3" 645L76

#645 38.408	Vacuum Spring 1.5" 645L Pos.8
#645 51/52.408	Vacuum Spring 2" 645L Pos.8
#645 63/70.408	Vacuum Spring to suit 645L63.4
#645 76.408	Vacuum Spring 3" 645L Pos.8

#645 51/52 O-ring	seal kit for 51/52 PRV
#645 63/70 O-ring	seal kit for 63/70 PRV
#645 76 O-ring	O-ring Kit for 76 PRV

PART NUMBERS (complete units)

#645BNZ51/52.4	2" P/V Valve 2" RJT N&L	HD Process 2" Stainless Steel Pressure/Vacuum Valve Model 645, Food Grade, NBR Seals with 2" RJT Female Hex Nut & Liner
#645BNZ63/101.4	2.5" P/V Valve 4" RJT Conn.	HD Process 2 1/2" Stainless Steel Pressure/Vacuum Valve Model 645, Food Grade, NBR Seals. 4" Female RJT Liner (without nut)
#645BNZ63/76.4	2.5" P/V Valve 3" RJT Conn.	HD Process 2 1/2" Stainless Steel Pressure/Vacuum Valve Model 645, Food Grade, NBR Seals. 3" Female RJT Liner (without mesh or nut)
#645BNZ76/101.4	3" P/V Valve 4" RJT Conn.	HD Process 3" Stainless Steel Pressure/Vacuum Valve Model 645, Food Grade, NBR Seals. 4" Female RJT Liner (without nut), with mesh cover.
#645BNZ76/76.4	3" P/V Valve 3" RJT N&L	HD Process 3" Stainless Steel Pressure/Vacuum Valve Model 645 with Food Grade, NBR Seals with 3" RJT nut, mesh cover
#645L38.4	1 1/2" Vacuum/Pressure Valve	
#645L40.4	1.5" pressure equal valve	HD Process 645L 1 1/2" PV Valve, 304 SS metal parts, PTFE closure cap, spring loaded vacuum and ball pressure relief
#645L51.4	2" SS Pressure/Vacuum Valve	HD Process 2" Stainless Steel Pressure/Vacuum Valve Model 645L Food Grade NBR Seals & Butt Weld Connection to suit 2" O.D. Tube Size
#645L63.4	2.5" SS Pressure Vacuum Valve	HD Process 2 1/2" Stainless Steel Pressure/Vacuum Valve Model 645L with Food Grade PTFE Locking Device, Food Grade NBR Seals & Butt Weld

Photos of various PRVs in the range showing PRV hole size and connection type.

- RJT connections are Hex Nuts (part numbers are 645BNZ...).
- Din connections are Slotted Nuts (part numbers are 645L...).

