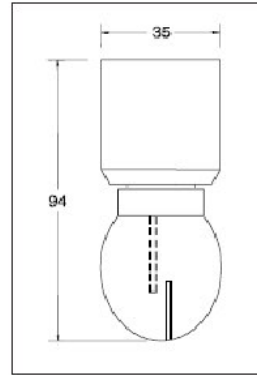


## Mini-Spin serie TC-200



### Mini-Spin TC-200

Mini-Spin is a self-rotating tank cleaning head driven and lubricated by the cleaning fluid.

The nozzle is equipped with 2 sets of bearings, which makes it possible to rotate in any position and is suitable for cleaning off small tanks with a diameter up to 2 metres.

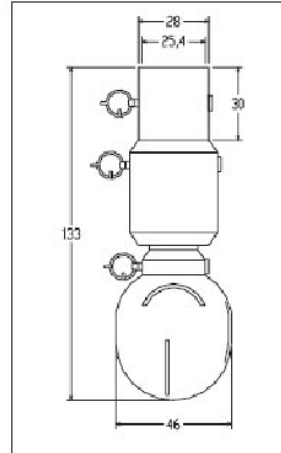
Mini-Spin is made from stainless steel AISI 316 and can be delivered in 3 standard versions. Spray pattern 360°, 180° ↓, and a 360° low flow version and is small enough to pass through 36 mm opening.

Type	Spray-pattern	Liter per Minut @ bar				Cleaning radius	Vetting radius	Material	Connection	Max. Temp.
		1	2	3	5					
TC-200	360°	50	70	85	110	1 m	3 m	AISI 316	3/4"	90 C°
TC-201	180° ↓	45	63	77	100	1 m	3 m	AISI 316	3/4"	90 C°
TC-200 LF	360°	34	48	58	75	1 m	3 m	AISI 316	3/4"	90 C°

Recommended pressure : 2 bar

**Not for use with demi water.**

## Mini-Spin serie TC-250 SANI 1"



Also supplied with :

- ID = 28,1
- OD = 30,7

### Mini-Spin TC-250 SANI 1"

This type of nozzle is used in tanks where no threads are allowed (sanitary installation).

The nozzle is driven and lubricated by the cleaning liquid.

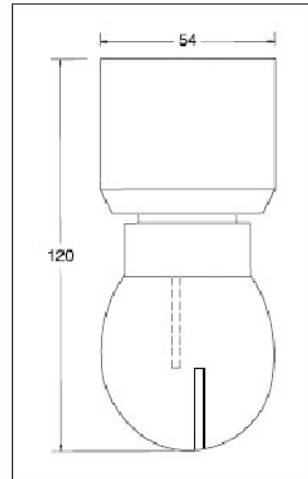
The nozzle is mounted with 2 set of bearings, so that the nozzles can rotate in any position.

Type	Spray angel	Liter per Minut @ bar				Cleaning radius	Vetting radius	Material	ID	OD	Max. Temp.
		1	2	3	5						
TC-250	360°	50	70	85	110	1 m	3 m	AISI 316	25,4	28	90 °C
TC-251	180° ↓	50	70	85	110	1 m	3 m	AISI 316	25,4	28	90 °C
TC-250 LF	360°	38	53	61	83	1 m	3 m	AISI 316	25,4	28	90 °C

Recommended pressure : 2 bar

**Not for use with demi water.**

## Midi-Spin TC-300



## Maxi-Spin TC - 300

Maxi-Spin is a self-rotating tank cleaning head driven and lubricated by the cleaning fluid.

The nozzle is equipped with 2 sets of bearings, which makes it possible to rotate in any position and is suitable for cleaning off tanks with a diameter up to 4 metres.

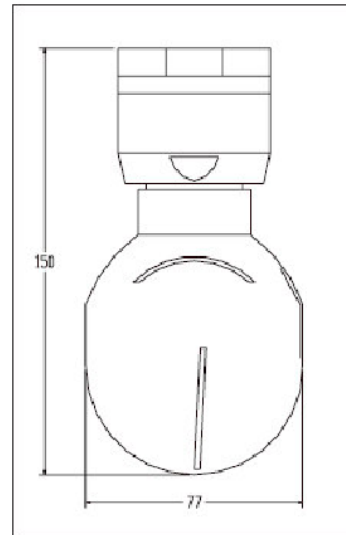
Maxi-Spin is made from stainless steel AISI 316 and is small enough to pass through 56 mm part opening.

Type	Spray-pattern	Liter per Minut @ bar				Cleaning radius	Vetting radius	Material	Connection	Max. Temp.
		1	2	3	5					
TC-300	360°	134	190	232	300	2 m	4 m	AISI 316	1 1/4"	90 C°

Recommended pressure : 2 bar

**Not for use with demi water.**

## Maxi-Spin TC-400



### Maxi-Spin TC - 400

Maxi-Spin is a self-rotating tank cleaning head driven and lubricated by the cleaning fluid.

The nozzle is equipped with 2 sets of bearings, which makes it possible to rotate in any position and is suitable for cleaning off tanks with a diameter up to 6 metres.

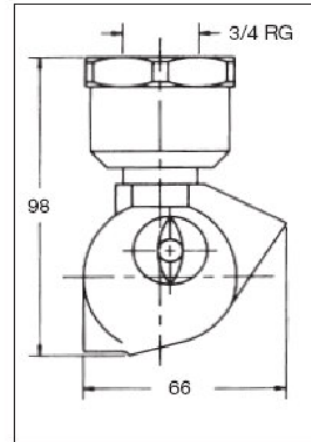
Maxi-Spin is made from stainless steel AISI 316 and is small enough to pass through 85 mm opening.

Type	Spray-pattern	Liter per Minut @ bar				Cleaning radius	Vetting radius	Material	Connection	Max. Temp.
		1	2	3	5					
TC-400	360°	175	250	310	380	3 m	5 m	AISI 316	1 ¼"	90 C°

Recommended pressure : 2 bar

**Not for use with demi water.**

## Serie TC-500 “High Impact”



### Serie TC - 500

TC-500 is a series of nozzles with extreme high impact (app. 30 % higher than other tank cleaning nozzles mentioned in this brochure) because it is mounted with flat jet nozzles instead of slots.

The nozzles are driven and lubricated by the cleaning liquid.

TC-500 must be mounted in a vertically down position.

TC-500 is made from stainless steel and suitable for cleaning off tanks with a diameter from 1 - 6 metres.

Type	Spray-pattern	Liter per Minut @ bar				Cleaning radius	Vetting radius	Material	Connection	Max. Temp.
		1	2	3	5					
TC-5509	360°	23	32	39	51	1 m	2 m	AISI 316	3/4"	90 C°
TC-5119	360°	41	58	71	92	1,5 m	2,5 m	AISI 316	3/4"	90 C°
TC-5209	360°	72	102	125	161	2 m	3 m	AISI 316	3/4"	90 C°
TC-5279	360°	105	148	181	234	3 m	4 m	AISI 316	3/4"	90 C°

Recommended pressure : 2 bar

**Not for use with demi water.**