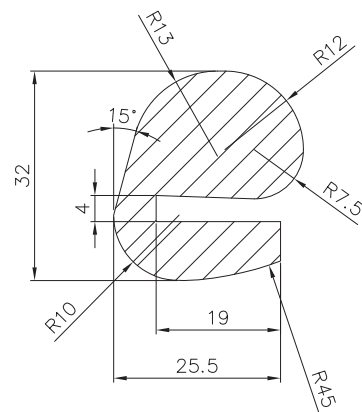


Art. A1

Gasket Part Number:
GRO_445X34001
_ E=EPDM, N=NBR, V=Viton, S=Silicone, P=Natural Rubber

Sezione guarnizione art. A1.

Profile gasket for art. A1.

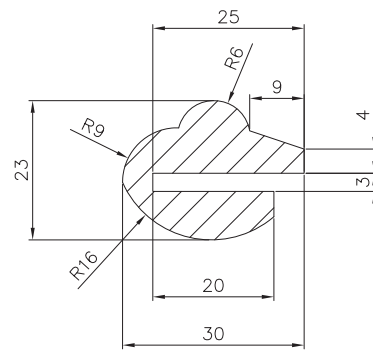


Art. A2-A4-A17-A18 A26-A27

Gasket Part Number:
GRO_440X34001
_ E=EPDM, N=NBR, V=Viton, S=Silicone, P=Natural Rubber

Sezione guarnizione art. A2-A4-A17-A18-A26-A27.

Profile gasket for art. A2-A4-A17-A18-A26-A27.

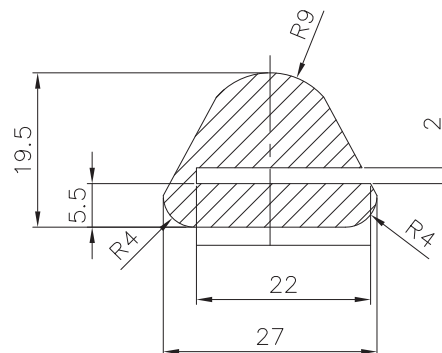


Art. A3-A5

Gasket Part Number:
GRO_440X31001
_ E=EPDM, N=NBR, V=Viton, S=Silicone, P=Natural Rubber

Sezione guarnizione per art. A3-A5.

Profile gasket for art. A3-A5.

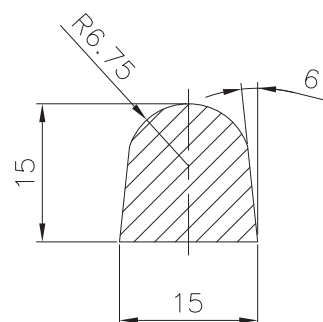


Art. A6-A7-A8-A9-A10 A13-A14-A20-A24

Gasket Part Number:
GRO_440X31002
_ E=EPDM, N=NBR, V=Viton, S=Silicone, P=Natural Rubber

Sezione guarnizione per art. A6-A7-A8-A9-A10-A13-A14-A20-A24.

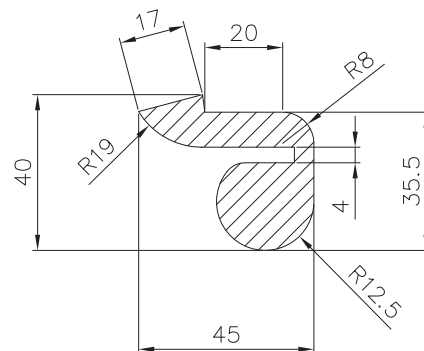
Profile gasket for art. A6-A7-A8-A9-A10-A13-A14-A20-A24.



Art. A11-A12

Sezione guarnizione per art. A11-A12 4 mm

Profile gasket for art. A11-A12 4 mm



Gasket Part Number:

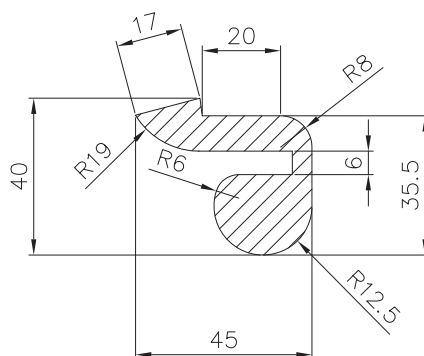
GRO_480X37001

_ E=EPDM, N=NBR, V=Viton, S=Silicone, P=Natural Rubber

Art. A11-A12

Sezione guarnizione per art. A11-A12 6 mm

Profile gasket for art. A11-A12 6 mm



Gasket Part Number:

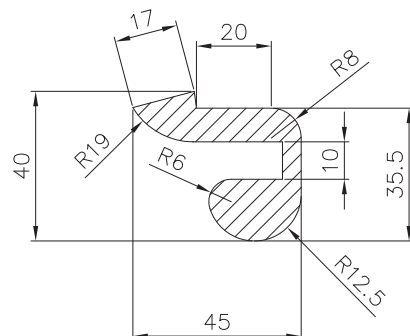
GRO_480X37002

_ E=EPDM, N=NBR, V=Viton, S=Silicone, P=Natural Rubber

Art. A11-A12

Sezione guarnizione per art. A11-A12 10 mm

Profile gasket for art. A11-A12 10 mm



Gasket Part Number:

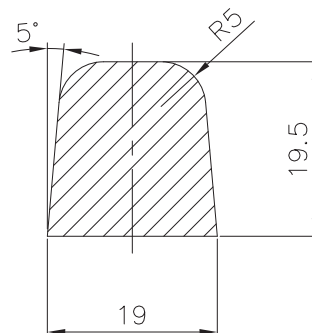
GRO_480X37003

_ E=EPDM, N=NBR, V=Viton, S=Silicone, P=Natural Rubber

Art. A15-A16-A21-A31

Sezione guarnizione per art. A15-A16-A21-A31

Profile gasket for art. A15-A16-A21-A31



Gasket Part Number:

GRO_520X42001

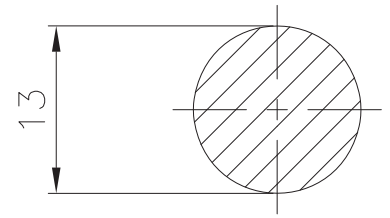
_ E=EPDM, N=NBR, V=Viton, S=Silicone, P=Natural Rubber

Art. A19-A22-A23

Sezione guarnizione per art. A19-A22-A23

Profile gasket for art. A19-A22-A23

Gasket Part Number:
GRO_430X26001
_ E=EPDM, N=NBR, V=Viton, S=Silicone, P=Natural Rubber

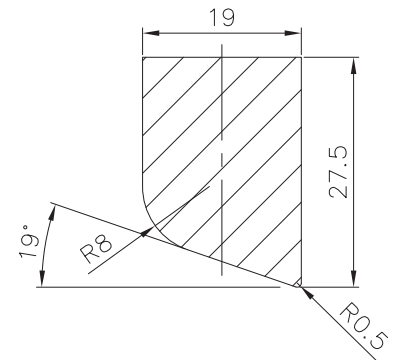


Art. A25

Sezione guarnizione per art. A25

Profile gasket for art. A25

Gasket Part Number:
GRO_480X38001
_ E=EPDM, N=NBR, V=Viton, S=Silicone, P=Natural Rubber

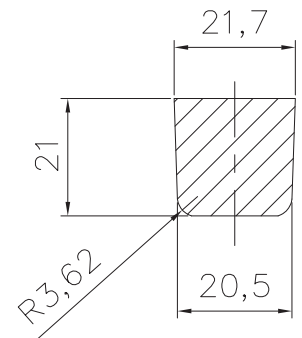


Art. A29

Sezione guarnizione per art. A29

Profile gasket for art. A29

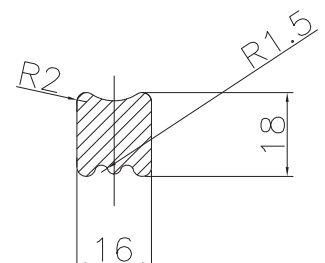
Gasket Part Number:
GRO_560X46003
_ E=EPDM, N=NBR, V=Viton, S=Silicone, P=Natural Rubber



Art. A30

Sezione guarnizione per art. A30

Profile gasket for art. A30

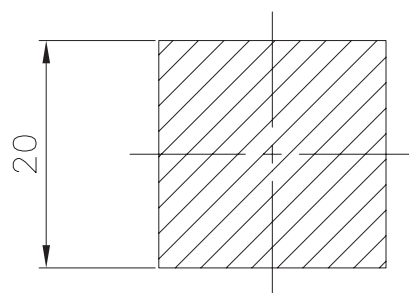


Art. B1

Sezione guarnizione per art. B1

Profile gasket for art. B1

Gasket Part Number:
GRR_740X45001
_ E=EPDM, N=NBR, V=Viton, S=Silicone, P=Natural Rubber

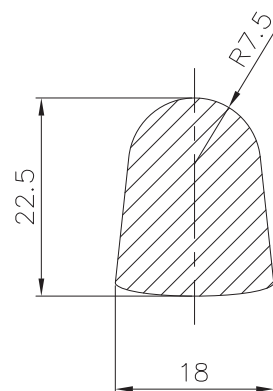


Art. B2-B6-B11-B12 B15-B18-B23-B24

Sezione guarnizione per art. B2-B6-B8-B11-B12-B15-B18-
B23-B24

Profile gasket for art. B2-B6-B8-B11-B12-B15-B18-B23-B24

Gasket Part Number:
GRR_530X41001
_ E=EPDM, N=NBR, V=Viton, S=Silicone, P=Natural Rubber

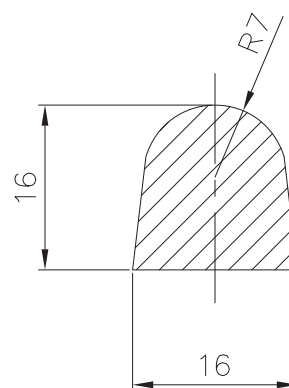


Art. B3-B13-B16

Sezione guarnizione per art. B3-B13-B16

Profile gasket for art. B3-B13-B16

Gasket Part Number:
GRR_500X31001
_ E=EPDM, N=NBR, V=Viton, S=Silicone, P=Natural Rubber

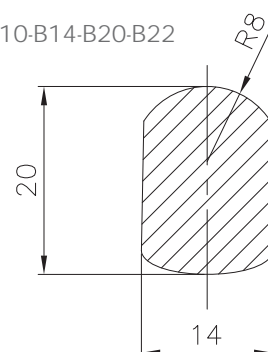


Art. B4-B5-B7-B10-B14 B20-B22

Sezione guarnizione per art. B4-B5-B7-B10-B14-B20
-B22

Profile gasket for art. B4-B5-B7-B10-B14-B20-B22

Gasket Part Number:
GRR_420X31001
_ E=EPDM, N=NBR, V=Viton, S=Silicone, P=Natural Rubber

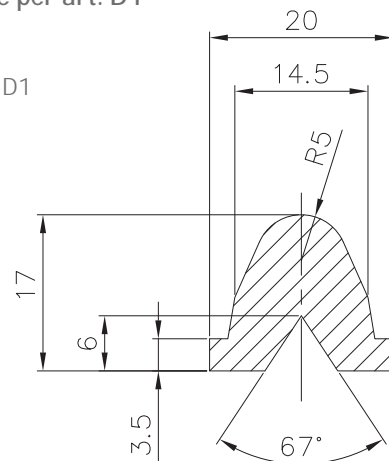


Art. D1

Sezione guarnizione per art. D1

Profile gasket for art. D1

Gasket Part Number:
GRC_0500INV01
_ E=EPDM, N=NBR, V=Viton, S=Silicone, P=Natural Rubber

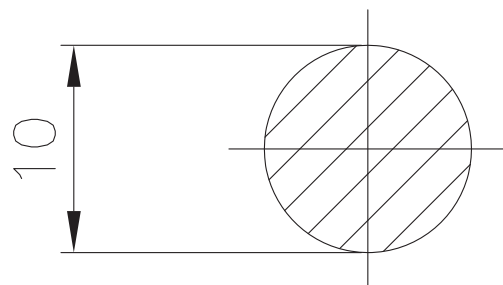


Art. D2-D3-D13-D26-A28

Sezione guarnizione per art. D2-D3-D13-D26-A28

Profile gasket for art. D2-D3-D13-D26-A28

Gasket Part Number:
GRC_XXXXORD01
XXXX=Manway Diameter (eg. 0420=420mm diameter)
_ E=EPDM, N=NBR, V=Viton, S=Silicone, P=Natural Rubber

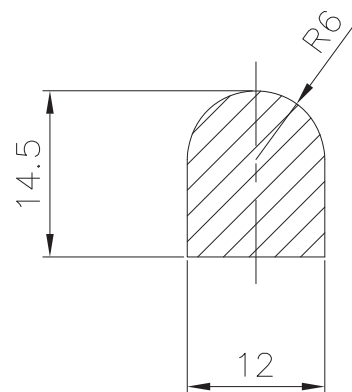


Art. D9-D12

Sezione guarnizione per art. D9-D12 Ø 150

Profile gasket for art. D9-D12 Ø 150

Gasket Part Number:
GRC_0150TND01
_ E=EPDM, N=NBR, V=Viton, S=Silicone, P=Natural Rubber

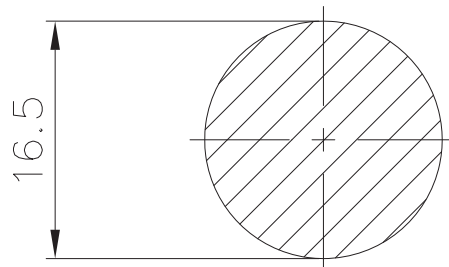


Art. D10-D11-D12

Sezione guarnizione per art. D9-D12 Ø 200

Profile gasket for art. D9-D12 Ø 200

Gasket Part Number:
GRC_0200TND01
_ E=EPDM, N=NBR, V=Viton, S=Silicone, P=Natural Rubber

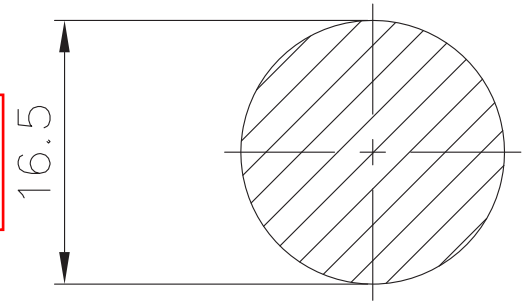


Art. D9-D12

Sezione guarnizione per art. D9-D12 Ø 250

Profile gasket for art. D9-D12 Ø 250

Gasket Part Number:
GRC_0250TND01
_ E=EPDM, N=NBR, V=Viton, S=Silicone, P=Natural Rubber

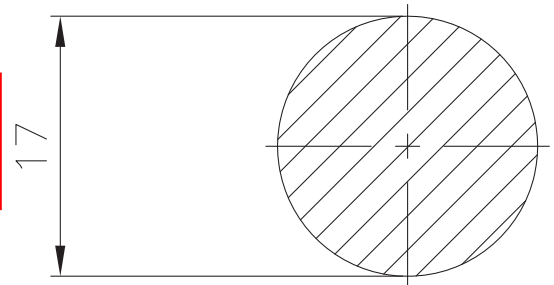


Art. C3-C5-D9-D12

Sezione guarnizione per art. C3-C5-D9-D12 Ø 300

Profile gasket for art. C3-C5-D9-D12 Ø 300

Gasket Part Number:
GRC_0300TND01
_ E=EPDM, N=NBR, V=Viton, S=Silicone, P=Natural Rubber

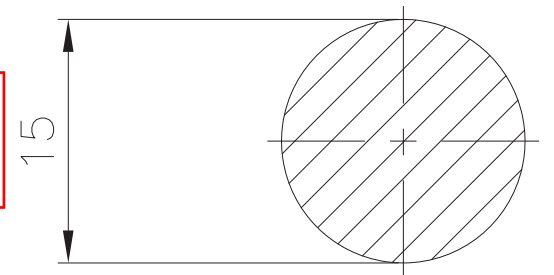


Art. C3-D9-D12

Sezione guarnizione per art. C3-D9-D12 Ø 360

Profile gasket for art. C3-D9-D12 Ø 360

Gasket Part Number:
GRC_0360TND01
_ E=EPDM, N=NBR, V=Viton, S=Silicone, P=Natural Rubber

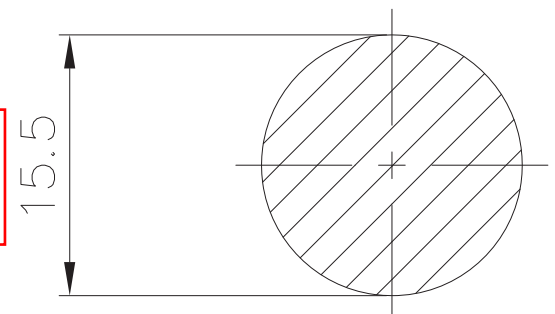


Art. D7-D9-D12

Sezione guarnizione per art. D7-D9-D12 Ø 385

Profile gasket for art. D7-D9-D12 Ø 385

Gasket Part Number:
GRC_0385TND01
_ E=EPDM, N=NBR, V=Viton, S=Silicone, P=Natural Rubber

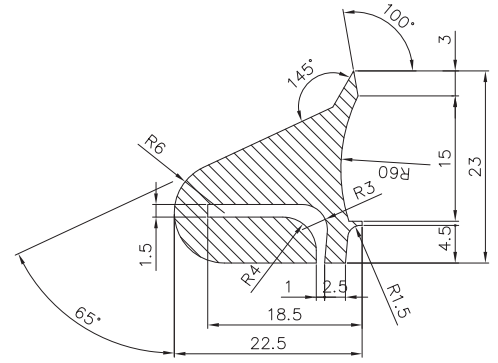


Art. D8-D14-D15-D17 D18-D19-D20-D22-D23

Sezione guarnizione per art. D8-D14-D15-D17-D18-D19-D20-D22-D23 ASETTICA

Profile gasket for art. D8-D14-D15-D17-D18-D19-D20-D22-D23 ASEPTIC

Double Lipped Gasket
Gasket Part Number:
GRC_XXXXASE01
XXXX=Manway Diameter (eg. 0420=420mm diameter)
_ E=EPDM, N=NBR, V=Viton, S=Silicone, P=Natural Rubber

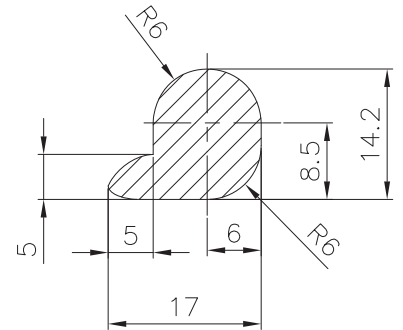


Art. C2-C3

Sezione guarnizione per art. C2-C3 Ø 420

Profile gasket for art. C2-C3 Ø 420

Gasket Part Number:
GRC_XXXXHRP01
XXXX=Manway Diameter (eg. 0420=420mm diameter)
_ E=EPDM, N=NBR, V=Viton, S=Silicone, P=Natural Rubber

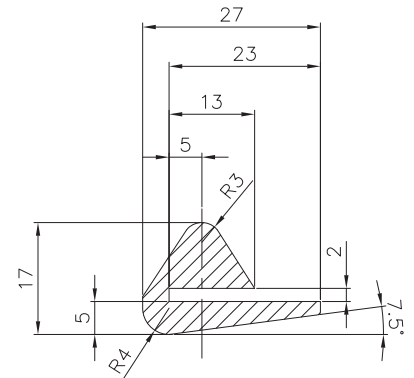


Art. D8-D15-D17-D19 D20-D20-D22-D23

Sezione guarnizione per art. D8-D15-D17-D19-D20-D20-D22-D23

Profile gasket for art. D8-D15-D17-D19-D20-D20-D22-D23

Single Lipped Gasket
Gasket Part Number:
GRC_XXXXINC01
XXXX=Manway Diameter (eg. 0420=420mm diameter)
_ E=EPDM, N=NBR, V=Viton, S=Silicone, P=Natural Rubber

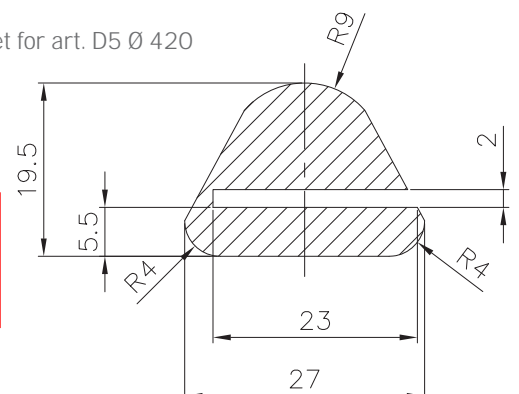


Art. D5

Sezione guarnizione per art. D5 Ø 420

Profile gasket for art. D5 Ø 420

Gasket Part Number:
GRC_0420INC02
_ E=EPDM, N=NBR, V=Viton, S=Silicone, P=Natural Rubber

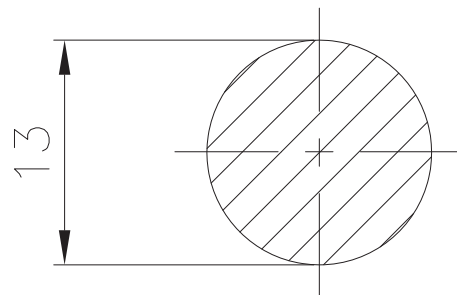


Art. C1-C4-C5-D4-D6 D7-D9-D12

Sezione guarnizione per art. C1-C4-C5-D4-D6-D7-D9-D12
Ø 420

Profile gasket for art. C1-C4-C5-D4-D6-D7-D9-D12 Ø 420

Gasket Part Number:
GRC_0420TND01
_ E=EPDM, N=NBR, V=Viton, S=Silicone, P=Natural Rubber

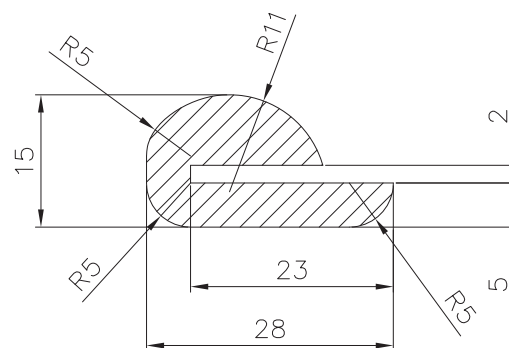


Art. D5

Sezione guarnizione per art. D5 Ø 460

Profile gasket for art. D5 Ø 460

Gasket Part Number:
GRC_0460INC02
_ E=EPDM, N=NBR, V=Viton, S=Silicone, P=Natural Rubber

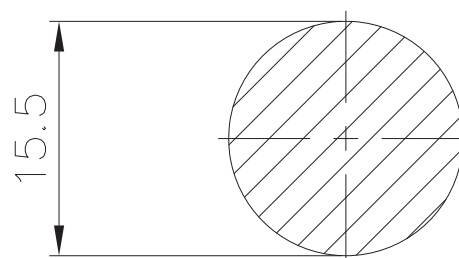


Art. D6-D7-D9-D12

Sezione guarnizione per art. D6-D7-D9-D12 Ø 460

Profile gasket for art. D6-D7-D9-D12 Ø 460

Gasket Part Number:
GRC_0460TND01
_ E=EPDM, N=NBR, V=Viton, S=Silicone, P=Natural Rubber

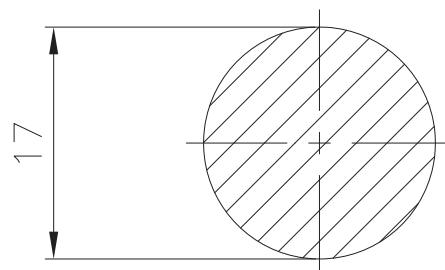


Art. D6-D7-D9-D12

Sezione guarnizione per art. D6-D7-D9-D12 Ø 500

Profile gasket for art. D6-D7-D9-D12 Ø 500

Gasket Part Number:
GRC_0500TND01
_ E=EPDM, N=NBR, V=Viton, S=Silicone, P=Natural Rubber

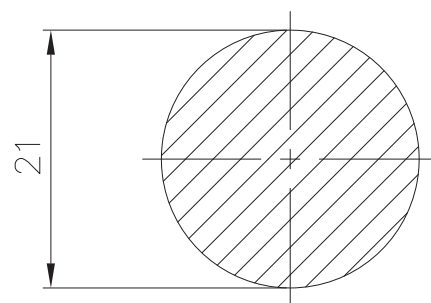


Art. D6-D7-D9-D12

Sezione guarnizione per art. D6-D7-D9-D12 Ø 600

Profile gasket for art. D6-D7-D9-D12 Ø 600

Gasket Part Number:
GRC_0600TND01
_ E=EPDM, N=NBR, V=Viton, S=Silicone, P=Natural Rubber



HD Process Manway profiles

Other profiles available:

<p>RSR300 68° Shore (±5) White Nitrile Also available in Silicone - P.O.A.</p>	<p>RSR301 57° Shore (±5) White Natural</p>	<p>IPS846 70° Shore (±5) White Nitrile</p>
<p>IPS847 60° Shore (±5) White Natural</p>	<p>RML105 57° Shore (±5) White Natural</p>	
<p>RML100 68° Shore (±5) White Nitrile</p>	<p>RSS102 57° Shore (±5) White Natural</p>	